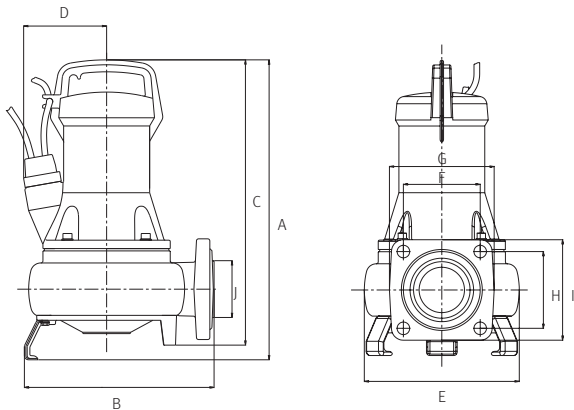


## Dimensions and weights

Model	A	B	C	D	E	F	G	H	I	J	kg
Drainex 300	429	271,5	408	118,7	222	110	150	110	144	2 1/2"	28
Drainex 301	429	271,5	408	118,7	222	110	150	110	144	2 1/2"	28
Drainex 302	429	271,5	408	118,7	222	110	150	110	144	2 1/2"	28

Impeller ext. Ø: **Drainex 300:** 105 mm. **Drainex 301:** 115 mm. **Drainex 302:** 124 mm.

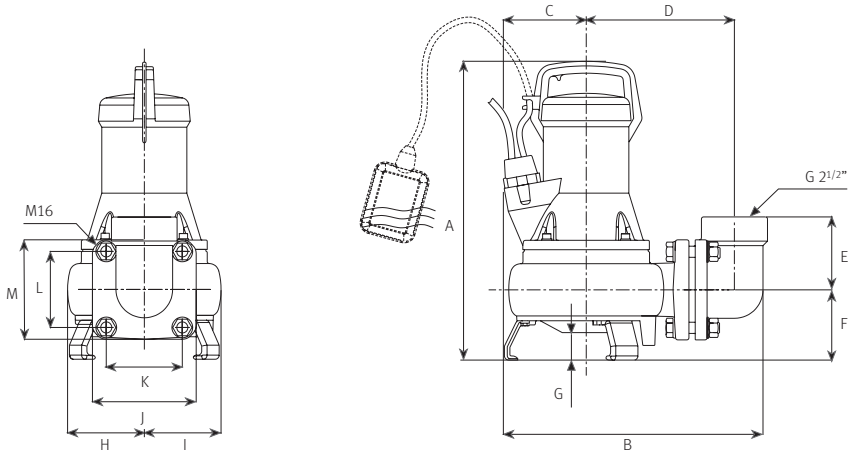


# Drainex 300 Drainage



## Portable version

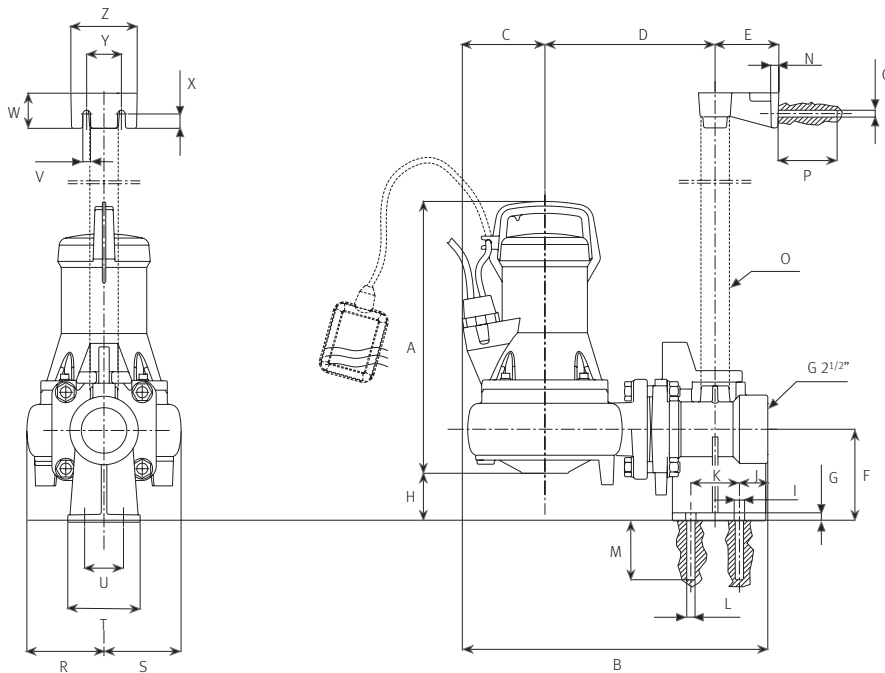
A	B	C	D	E	F	G	H	I	J	K	L	M
455	373	108	213	105	101	62	111	111	150	110	110	144



Passage  $\varnothing$  of particles in suspension: 45 mm. - Drainex 300 A: supplied built-in float switch

## Fixed version

A	B	C	D	E	F	G	H	I	J	K	L	M	N	O	P	Q	R	S	T	U	V	W	X	Y	Z
405	441	108	245,5	92	132	11,5	74,5	15	38	70	$\varnothing 12$	85	12	$\varnothing 42$	85	$\varnothing 10$	111	111	104	56	11	50,5	20,5	50	95



Passage  $\varnothing$  of particles in suspension: 60 mm. - Drainex 300 A: supplied built-in float switch

## Accessories Fixed version

### DR2 Kit



Support base for automatic anchoring.



Clamping flange.



Upper anchoring on guide tube.