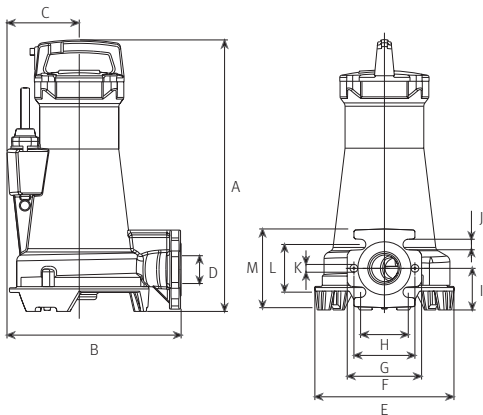


Dimensions and weights

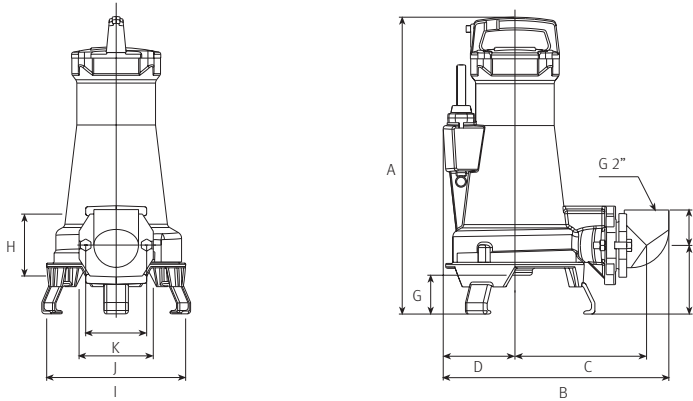
Model	A	B	C	D	E	F	G	H	I	J	K	L	M	kg
Drainex 400	488	313	130	Ø50	251	134	110	86	75	19	Ø14	86	142	45
Drainex 401	488	313	130	Ø50	251	134	110	86	75	19	Ø14	86	142	45
Drainex 402	488	313	130	Ø50	251	134	110	86	75	19	Ø14	86	142	45

Impeller ext. Ø: **Drainex 400:** 115 mm. **Drainex 401:** 125 mm. **Drainex 402:** 136 mm.



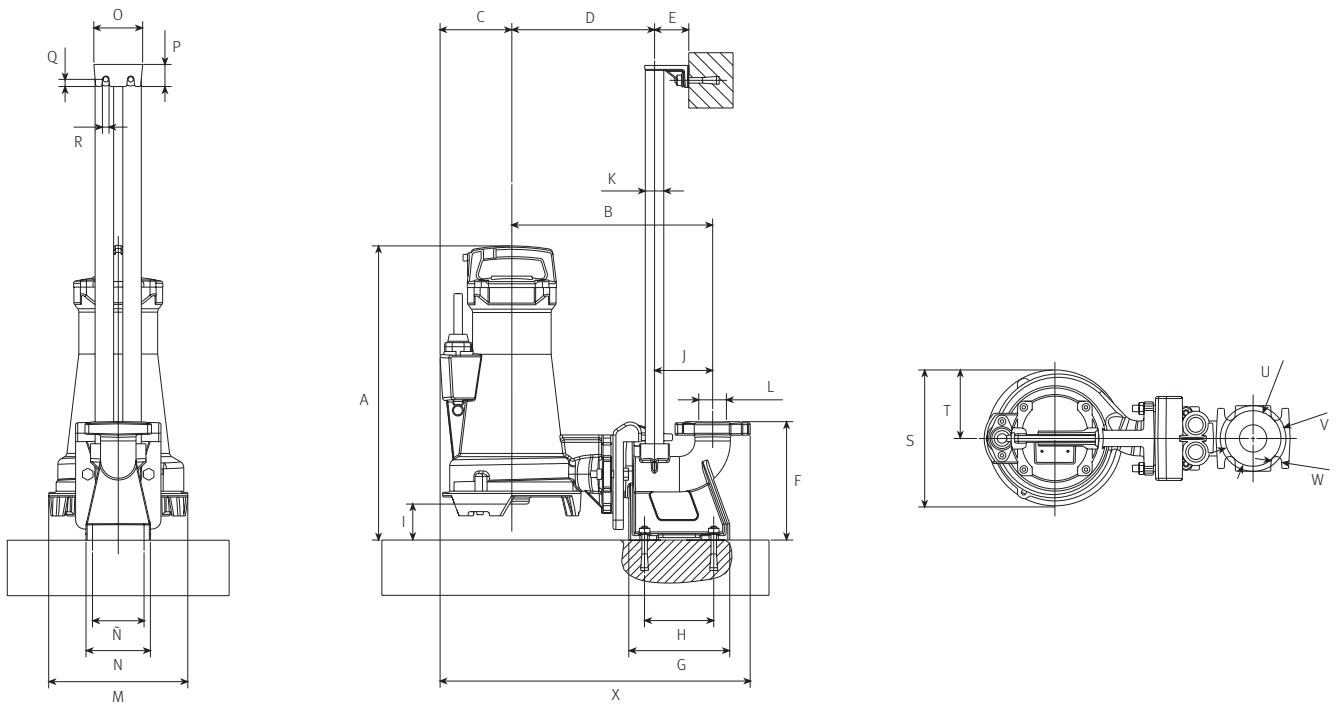
Portable version

A	B	C	D	E	F	G	H	I	J	K
537	408	238	130	124	64	70	110	251	134	110



Fixed version

A	B	C	D	E	F	G	H	I	J	K	L	M	N	Ñ	O	P	Q	R	S	T	U	V	W	X
532	363	130	258	62	214	182,5	125	65	105	1"	Ø50	251	116	93	88	40	13	12	251	125	100	120,5	19	561



Accessories

Portable version

DR3 Kit
DN 50 (flange 50)



Support base with elbow for automatic anchoring

ANSI 150 2"



Upper anchoring on double guide tube

Fixed version

DR6 Kit



90° elbow at 2"



Stainless steel feet