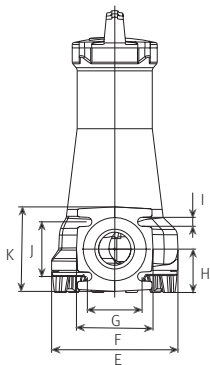
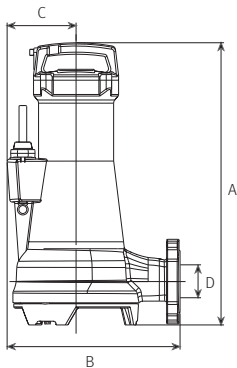


## Dimensions and weights

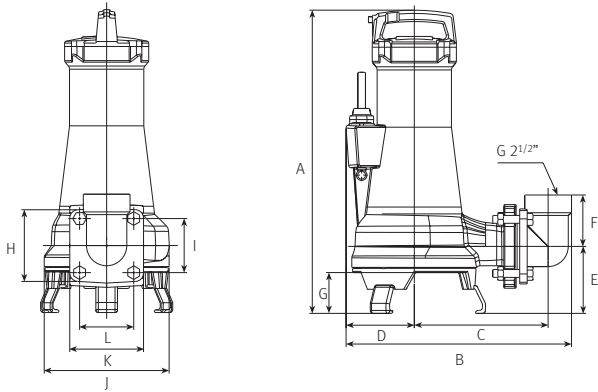
Model	A	B	C	D	E	F	G	H	I	J	K	kg
Drainex 600	567	348	139	Ø65	254	154	110	87	18	110	170	60
Drainex 601	567	348	139	Ø65	254	154	110	87	18	110	170	60
Drainex 602	567	348	139	Ø65	254	154	110	87	18	110	170	60

Impeller ext. Ø: **Drainex 600:** 125 mm. **Drainex 601:** 135 mm. **Drainex 602:** 145 mm.



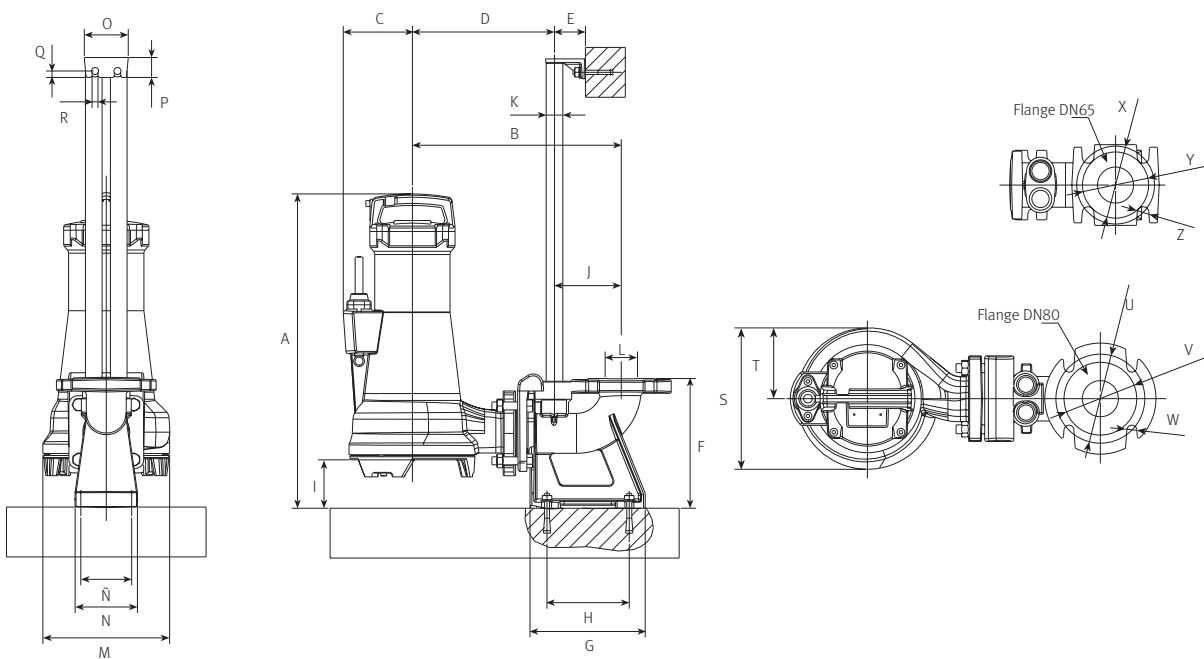
## Portable version

A	B	C	D	E	F	G	H	I	J	K	L
616	458	272	139	136	105	83	144	110	254	150	110



## Fixed version

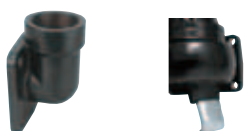
A	B	C	D	E	F	G	H	I	J	K	L	M	N	Ñ	O	P	Q	R	S	T	U	V	W	X	Y	Z
630	419	319	285	62	260	231	165	97	134	1"	Ø65	254	125	102	88	40	13	12	254	127	Ø60	Ø133	Ø18	Ø140	Ø120	Ø21



## Accesorios

### Portable version

DR7 Kit



90° elbow at 2 1/2"

Stainless steel feet

### Fixed version

DR4 Kit

DN 65 (flange 65)

DIN 2501 PN16

ANSI 150 2 1/2"



Support base with elbow for automatic anchoring

Clamping flange

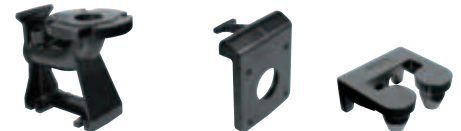
Upper anchoring on double guide tube

DR5 Kit

DN 65 (flange 80)

DIN 2501 PN16

ANSI 150 2 1/2"



Support base with elbow for automatic anchoring

Clamping flange

Upper anchoring on double guide tube